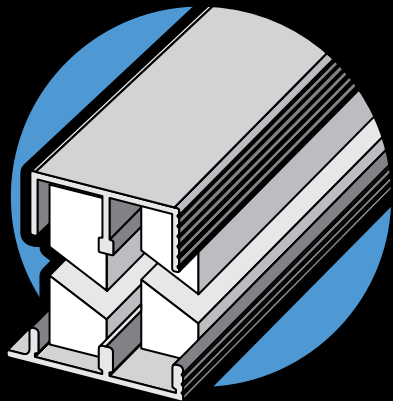




for 1/2 inch thick

wood, plywood
fiber board, etc.

TRACK ASSEMBLY No 10



- Silent, smooth operation
- Economical and quick install
- Extruded aluminum

PACKAGE CONTAINS:

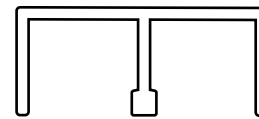
- 1pc. #3312 upper guide
- 1pc. #312 lower track
- 4pc. #33 button glides
- screws

for 1/2 inch thick bypassing doors

www.epcohardware.com

PART IDENTIFICATION:

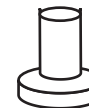
1 pc. #3312 upper guide



1 pc. #312 lower track



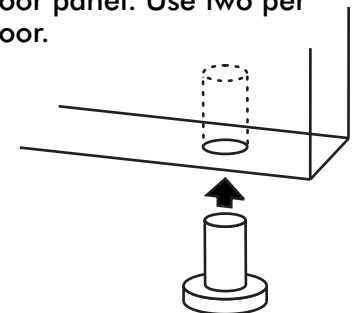
4 pc. #33 button glides



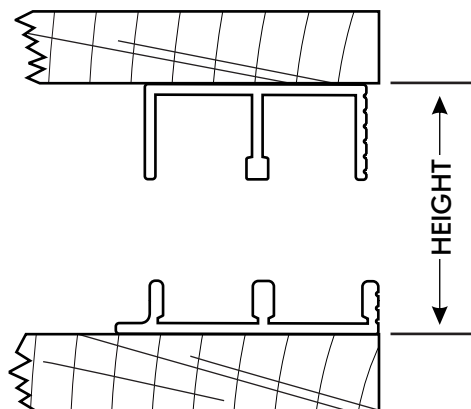
CAUTION: Do not wax or paint track or guide on sliding surface.

The aluminum bottom track and upper guide are designed to provide a finished frame but may be covered with trimboard or recessed if desired.

Nylon button glides install into a 1/4" diameter hole in the bottom of the sliding door panel. Use two per door.



TYPICAL INSTALLATION



TO OBTAIN PANEL HEIGHT

Cut panel 7/16" less than height of finished opening.

TO OBTAIN PANEL WIDTH

Add 1/2" to opening width and divide by 2 for 1/2" overlap.

Add 1" to opening width and divide by 2 for 1" overlap.

Use screws to fasten track and guide to mounting surface.

To obtain the best sliding qualities, apply a light coat of wax on bottom track twice a year.

CAUTION: Do not paint track or guide on sliding surface.

The serrated face bottom track and upper guide are designed to provide an attractive finished frame.



www.epcohardware.com