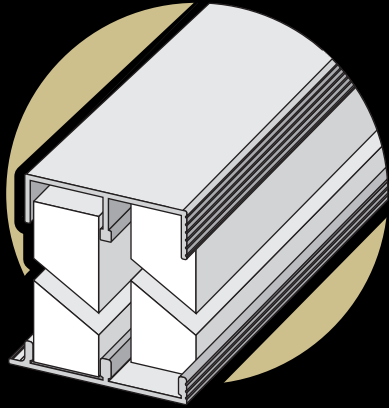




for 3/4 inch thick

wood, plywood
fiber board, etc.

TRACK ASSEMBLY No 11



- Silent, smooth operation
- Economical and quick install
- Extruded aluminum

PACKAGE CONTAINS:

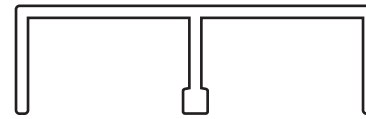
- 1 pc. #3334 upper guide
- 1 pc. #334 lower track
- 4 pc. #33 button glides
screws

for 3/4 inch thick bypassing doors

www.epcohardware.com

PART IDENTIFICATION:

1 pc. #3334 upper guide



1 pc. #334 lower track

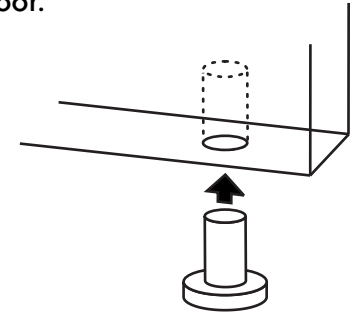


4 pc. #33 button glides



The aluminum bottom track and upper guide are designed to provide a finished frame but may be covered with trimboard or recessed if desired.

Nylon button glides install into a 1/4" diameter hole in the bottom of the sliding door panel. Use two per door.



TYPICAL INSTALLATION

Use the included screws to fasten the track and guide in position

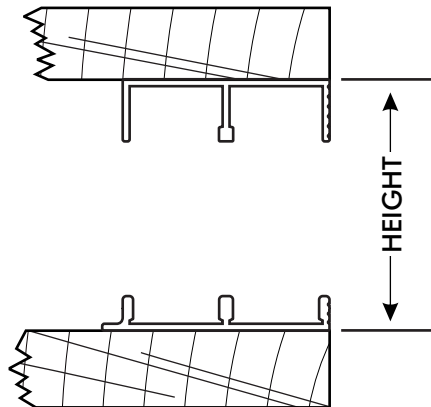
TO OBTAIN PANEL HEIGHT

Cut panel 7/16" less than height of finished opening.

TO OBTAIN PANEL WIDTH

Add 1/2" to opening width and divide by 2 for 1/2" overlap.

Add 1" to opening width and divide by 2 for 1" overlap.



The serrated face bottom track and upper guide are designed to provide an attractive finished frame.

To obtain the best sliding qualities, apply a light coat of wax on bottom track twice a year.

CAUTION: Do not paint track on sliding surface.



www.epcohardware.com